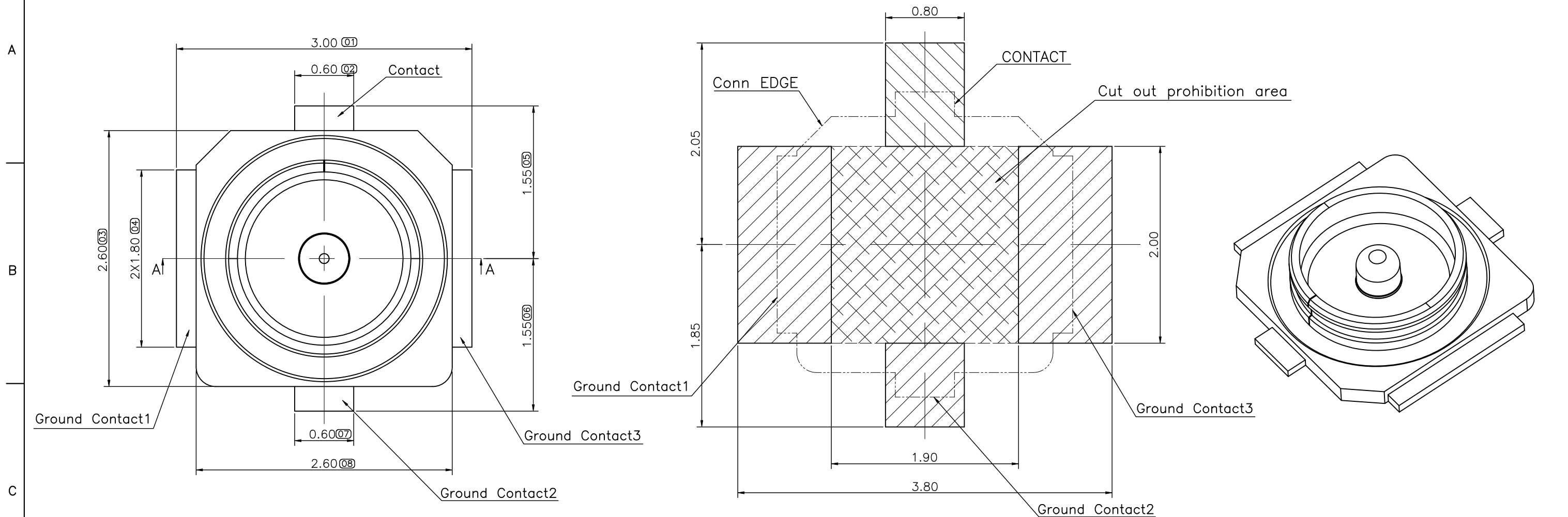


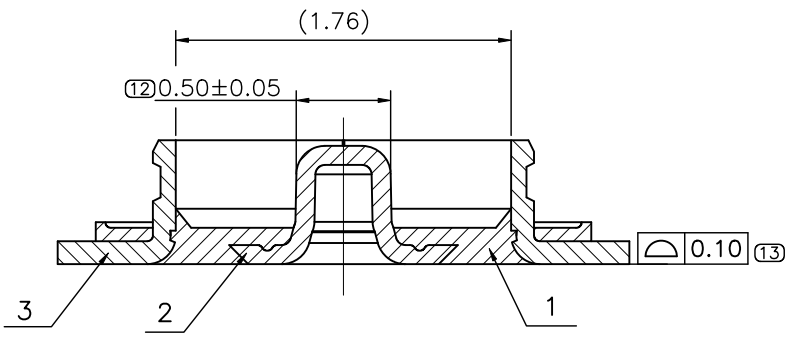
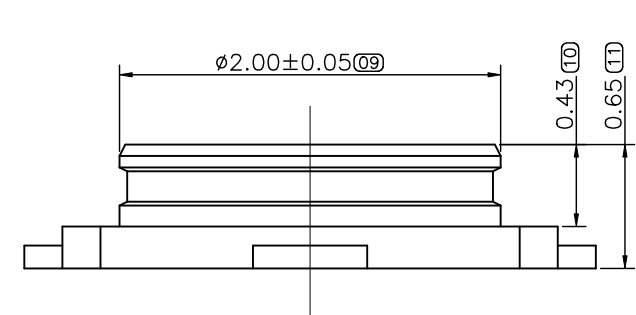
A3

REV	ECN NO	DESCRIPTION	DATE	APPD
X1	ECN1306054	Initial Edition		



Recommended PCB Layout
Tolerance:±0.05

- NOTES:
- ELECTRICAL CHARACTERISTICS:
 - 1-1.CONTACT RESISTANCE:
INITIAL:20 mOHMS MAX; AFTER TEST:40 mOHMS MAX.
 - 1-4.INSULATION RESISTANCE:
INITIAL:500 MOHMS MIN; AFTER TEST:100 MOHMS MIN.
 - MECHANICAL CHARACTERISTICS:
 - 2-1. MATING FORCE:
INITIAL:15N MAX; AFTER TEST:15N MAX.
 - 2-2. UNMATING FORCE:
INITIAL:4N MIN; AFTER TEST:2N MIN.
 - 2-3. DURABILITY : 30 CYCLES.
 - ENVIRONMENT CHARACTERISTICS:
 - 3-1. OPERATING TEMPERATURE: -25°C~60°C
 - 3-2. STORAGE TEMPERATURE: -40°C~85°C
 - THE PRODUCT IS COMPLIANCE WITH FAF ENVIRONMENT PROCEDURE REQUIREMENT.



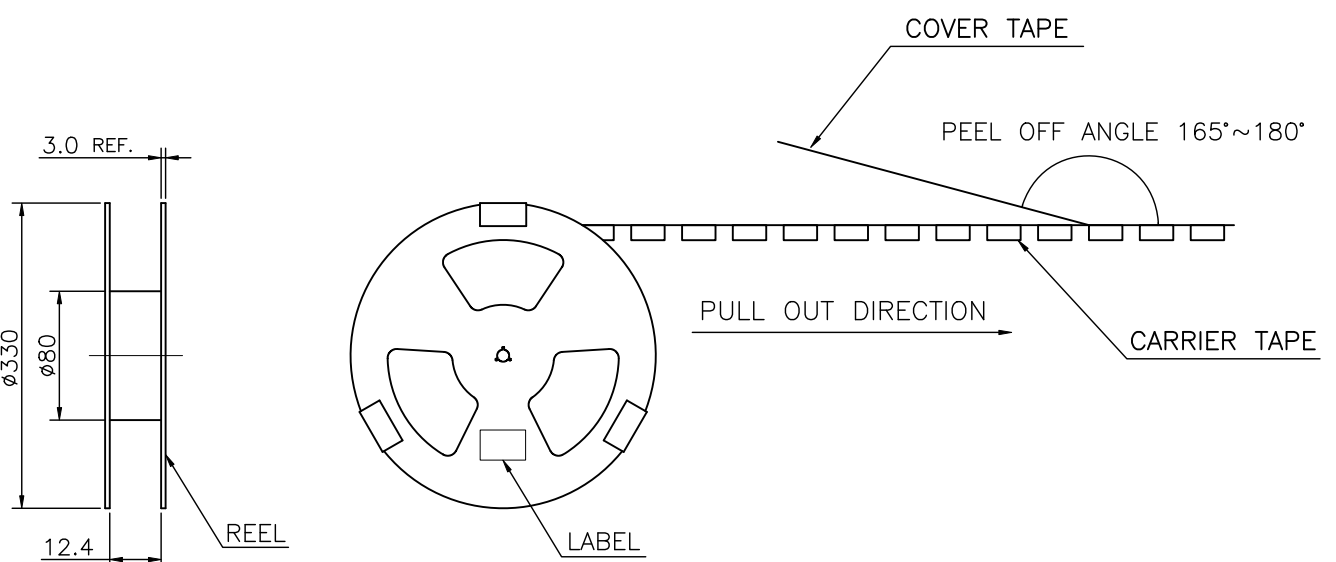
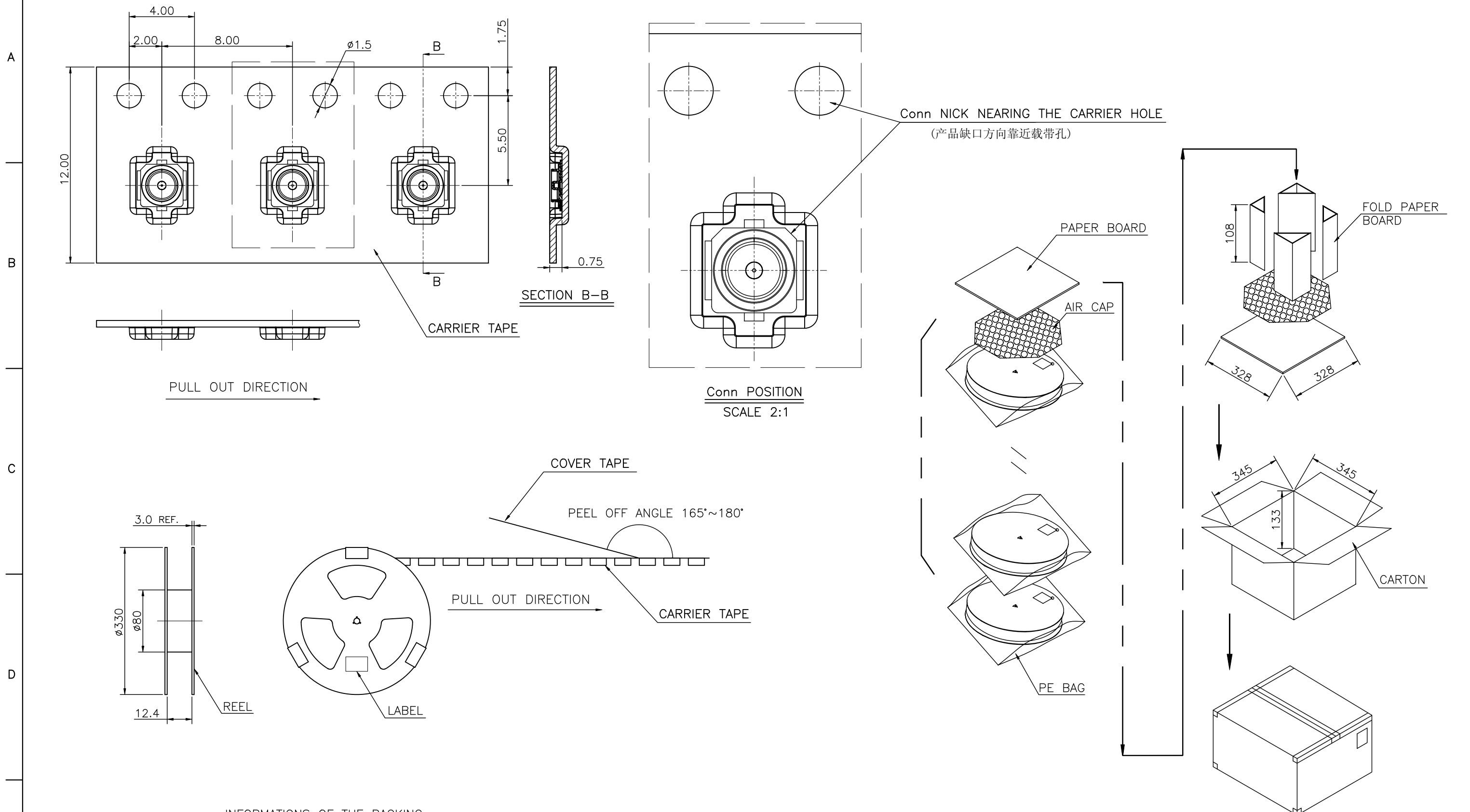
SECTION: A-A

3	SHELL	1	COPPER ALLOY	NICKEL PLATING OVERALL Au PLATING AT CONTACT AREA AND AT SOLDERTIAL AREA
2	CONTACT	1	COPPER ALLOY	NICKEL PLATING OVERALL Au PLATING AT CONTACT AREA AND AT SOLDERTIAL AREA
1	HOUSING	1	THERMOPLASTIC	MOLDED BLACK,UL94 V-0
ITEM	DESCRIPTION	Q'TY	MATERIAL	

EXTEND USE			TITLE		
RF 1.45H REC CONNECTOR			7.021A0 CONN. Customer Drawing		
GENERAL TOLERANCE		UNIT	MATERIAL	APPD	DWG NO
DIMENTION . ±0.30 .0 ±0.25 .00 ±0.20 .000 ±0.10		mm		Bill Zheng <i>2018.06.15</i>	C-7.021A0
ANGLES . ±3° .0 ±2° .00 ±1°		QTY	FINISHED	CHD David Wang <i>2018.06.15</i>	P/N: 7.021A0-000-1R0
				DRN Frank Sun <i>2018.06.15</i>	SHEET 1/2 SCALE 1:1 REV X1

A3

REV	ECN NO	DESCRIPTION	DATE	APPD
		SEE SHEET 1/2		



INFORMATIONS OF THE PACKING

TITLE	P/N	Q'TY/REEL	Q'TY/CARTON
RF 1.45H REC CONNECTOR	7.021A0-000-1R0	5000PCS	20000PCS

EXTEND USE		TITLE	FIF.	
RF 1.45H REC Connector	UNIT mm	7.021A0 CONN. Customer Drawing	DWG NO C-7.021A0	
GENERAL TOLERANCE $\text{\textcircled{T}}$	MATERIAL	APPD Bill Zheng 2018.06.15	P/N: 7.021A0-000-1R0	
DIMENTION	QTY	CHD David Wang 2018.06.15	SHEET 2/2	
. ±0.30	ANGLES ±3°	FRN Frank Sun 2018.06.15	SCALE 1:1	REV X1
.0 ±0.25	.0 ±2°			
.00 ±0.20	.00 ±1°			
.000 ±0.10				